

SafeLine MX2



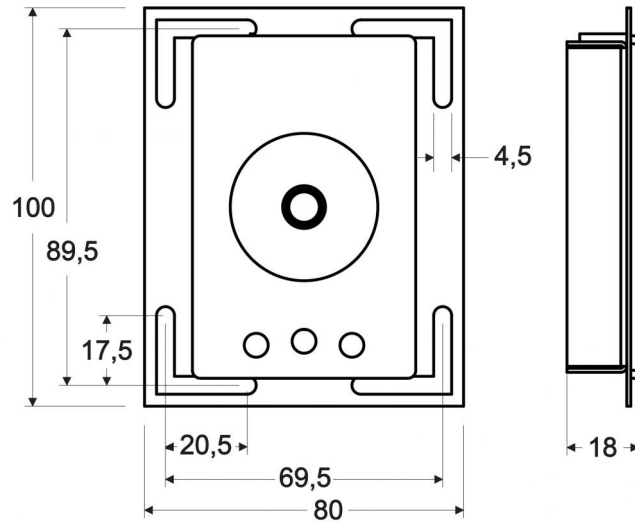
SafeLine MX2 COP

*SLMX_COP

SafeLine MX2 is probably the world's smallest EN81-28 and EN81-70 compatible emergency telephone. Despite its size it is both intelligent and powerful; perfectly suitable for most types of installations.

The COP model of SafeLine MX2 is suited for installation on welded bolts or by using the included adhesive tape. The unit has two LED's (yellow/green) for use with existing pictograms in the car panel.

Technical information - SafeLine MX2 COP



Advantages:

- EN81-28 and EN81-70 compatible
- Up to four telephone numbers using P100, CPC, Q23 or voice identification
- Connect external emergency button (NO/NC)
- Adjustable delay for connecting emergency call
- Voice identification messages to the call center and distress message to car - recorded directly on site or with pre-recorded audio file.
- Automatic test alarm on a configurable interval (max 3 days in accordance with EN81-28)
- Filter/LMS input
- Connect up to nine units to the same telephone line
- GSM as an option through the GL-series
- Five different ways for programming:
 - On site with the built-in keyboard
 - On site with programming tool
 - Connected to a computer running SafeLine Pro
 - Remote programming with standard analogue telephone
 - Remote programming with ProLink unit connected to a computer running SafeLine Pro

Technical data

Power supply:

10-30VDC

Current consumption:

max 50mA

Emergency signal button:

Can be set as NO or NC

Weight:

380g